

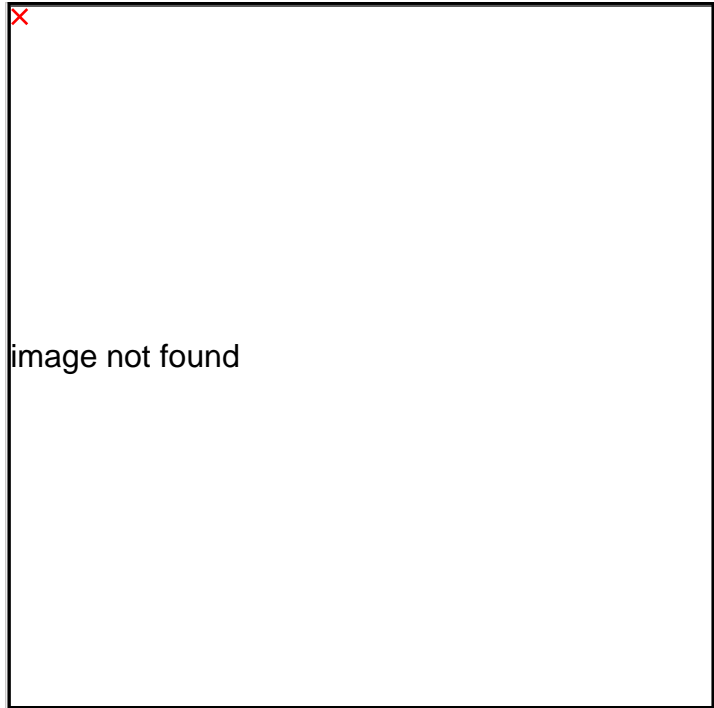
Anello Pendant

PENDANT

TYPE
PROJECT

Overview

- Modern extruded aluminum ring with clean curves and a bold presence.
- Direct or Direct/Indirect light distribution
- Available in various sizes
- Standard color white, black, silver RAL/Pantone#



Ordering Format

PART NUMBER: ANL-P

Size	Lumens Direct	Lumens Indirect	CCT Available	CRI Available
3 = 3 Feet	D3 = 350 Lumens	I3 = 350 Lumens	27 = 2700 Kelvins	80 = 80-85 CRI
6 = 6 Feet	D5 = 500 Lumens	I5 = 500 Lumens	30 = 3000 Kelvins	90 = 90-95 CRI
9 = 9 Feet	D7 = 750 Lumens	I7 = 750 Lumens	35 = 3500 Kelvins	
12 = 12 Feet	D10 = 1000 Lumens	D10 = 1000 Lumens	40 = 4000 Kelvins	
CL = Custom Size, add in notes		NN = Not Needed	TW = Tunable White 2700-5000 Kelvins	
Optics	Mounting	Driver / Voltage	Color	Options
OW = Opal White OW/MC = D-Opal White I-Matte Clear	AC1 = 5' Cable, Canopy-PF 5in + Sup. 5in AC2 = 5' Cable, Canopy-PF 5in + Sup. 2in AC3 = 5' Cable, 5 ACC = Custom Length , add in notes ST2 = 2' Stem, Canopy-PF 5in + Sup. 5in ST3 = 3' Stem, Canopy-PF 5in + Sup. 5in ST4 = 4' Stem, Canopy-PF 5in + Sup. 5in	ND = Non-Dim Universal 120-277VAC ZT = 0-10v Dimming Universal 120-277VAC CC = Custom Control - add in notes	W = Standard White BK = Standard Black SVR = Standard Silver RAL = Enter RAL# or Pantone# in notes	SP = Special - enter in notes. EMD = Emergency Driver - Battery Backup 120-277VAC

Anello Pendant

PENDANT

TYPE

PROJECT

	STC = Custom Length , add in notes			
--	---------------------------------------	--	--	--

NOTES

--

ORDER NUMBER:

Anello Pendant

PENDANT

TYPE

PROJECT

Construction & Mounting

HOUSING

Extruded aluminum rings are supplied in nominal sizes of 4-30 feet. Each ring can be shipped containing from 2-4 sections that are locked together with ring clamps for perfect joint connection. Easy access to driver and LED boards. Custom sizes are available.

REFLECTOR

Integral powder-coated LED housing with excessive reflectivity for increased lumen output

FINISH

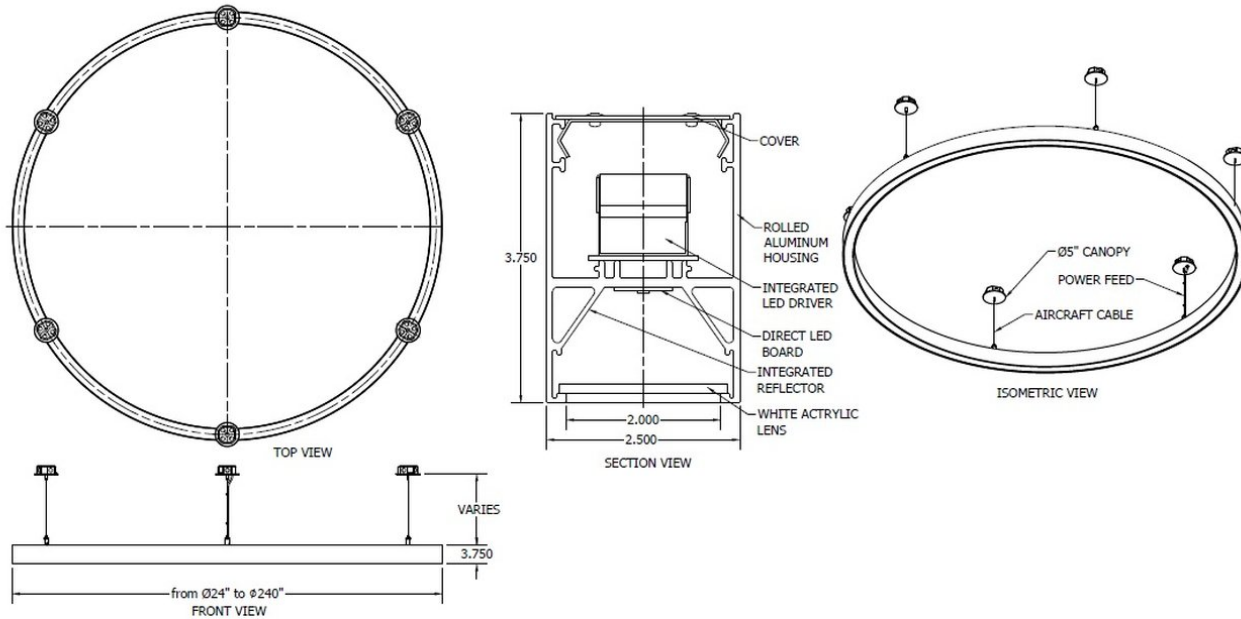
Standard powder-coated colors are white and black. Custom processed wood finishes and aluminum anodized finishes are available as well: see finishes chart. We will also accept RAL and Pantone numbers for powder-coating color choices.

OPTICS

Regressed, lay-in acrylic lens formulated for LED light sources. Lift and shift lens.

MOUNTING

Cable mounting with various size canopies and power feeds. Cable uses gripper style locking for field adjustments with 5 feet of cable standard. Canopy mounts to standard J-box. Can also be stem mounted with canopy. See accessories for more information.

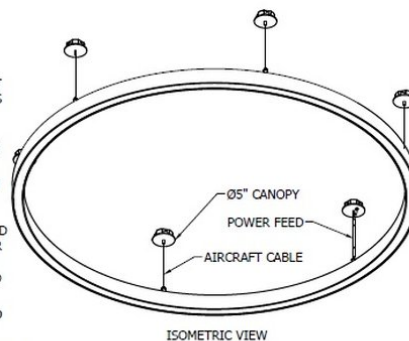
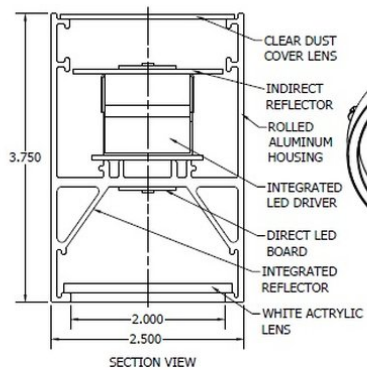
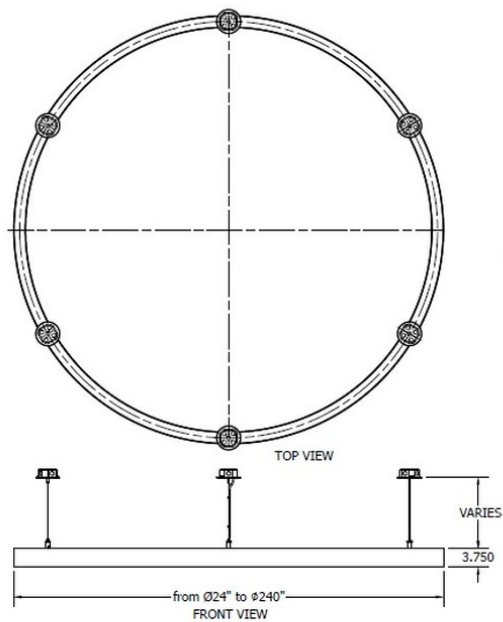


ANELLO PENDANT DIRECT

Anello Pendant

PENDANT

TYPE
PROJECT



ANELLO PENDANT DIRECT/INDIRECT

Electrical / Driver

- Our drivers are specifically selected based on fixture application to ensure ultimate reliability and long life. We use only UL recognized brands of LED drivers.
- If required, we can supply premium drivers such as Lutron, Eldoled and others upon request. Advanced control systems compliant drivers such as POE, DALI, DMX, etc. are also available.
- Rated life (90% survivorship) of 50,000 hours at 50° C max. ambient (and 70° C max. case) temperature. At maximum driver load: Efficiency >84%, PF>0.9, THD
- Our LED drivers feature HPF (high power factor), universal voltage 110 - 277 VAC and include 0-10V dimming.
- Emergency drivers are factory installed, long life, high temperature, recyclable Ni-Cad battery pack with test switch and charge indicator. EMR is minimum of 90 minutes operation to meet code.

LED Performance

LED Output	CCT Color Temp	Watts	Lumens	Lumens per Watt	CCT Multiplier
Low	3000	xx WPF Direct (xx WPF Indirect)	350 LPF	TBD	2700 = .95
Medium	3000	6.12 WPF Direct (4.8 WPF Indirect)	500 LPF	82	3000 = 1
High	3000	xx WPF Direct (xx WPF Indirect)	750 LPF	TBD	3500 = 1.01
Very High	3000	xx WPF Direct (xx WPF Indirect)	1000 LPF	TBD	4000 = 1.03

- The table above is a quick reference. When calculating loads make sure you add direct and indirect LPW to get total wattage. Please refer to photometric report for detailed information.
- Our light engines are precisely designed for optimal operation of LED assemblies.
- Our standard LED's CCT (correlated color temperature) range is 2700K to 4000K. Other CCT values are available upon request.
- We log LED bin codes for each project we supply to ensure color consistency and keep a record of those projects for future reference.
- CRI offered is 80+, and 90+ Note: on 90+ CRI use .85 multiplier
- Tunable white, warm dim and other special LED colors available.
- We design our own printed circuit boards to ensure high luminescence efficiency, low thermal resistance and long-term reliable operation.
- Light engines are easily replaced.
- We use only recognized brand LED's with 3 SDCM (standard deviation color matching) with high color consistency. 2 SDCM available upon request.
- LRP - "LED Reel Program" – LED's for printed circuit boards come on reels' like old 8mm projectors and they're sold in lots just like fabric. At Picasso Lighting, we have a program where we make sure all of your reels come from the same lot for each project. This ensures excellent color consistency in large open spaces.
- LED life is rated at 50,000 hours
- Custom Lumens Available

Certifications & Warranties

- Limited five-year (50,000 hours) warranty on all products.
- I.C. rated fixtures are available upon request.
- All fixtures are IBEW manufactured and assembled.
- UL and CUL listed for dry and damp locations.
- Chicago Plenum products are available upon request.
- Made in the U.S.A.



Note: Picasso lighting industries, LLC reserves the right to make any design changes which will not affect the overall appearance or performance of the product. All ceilings to be adequately reinforced by others. All fixtures to be wired by licensed electrician only. The information contained herein is the sole property of Picasso Lighting Industries, LLC and may not be used without prior written consent of Picasso Lighting Industries, LLC. The 'USGBC member logo' is a trademark owned by the U.S. Green building council and is used by permission. The logo signifies only that Picasso Lighting Industries, LLC is a USGBC member; USGBC does not review, certify, or endorse the products or services offered by its members.